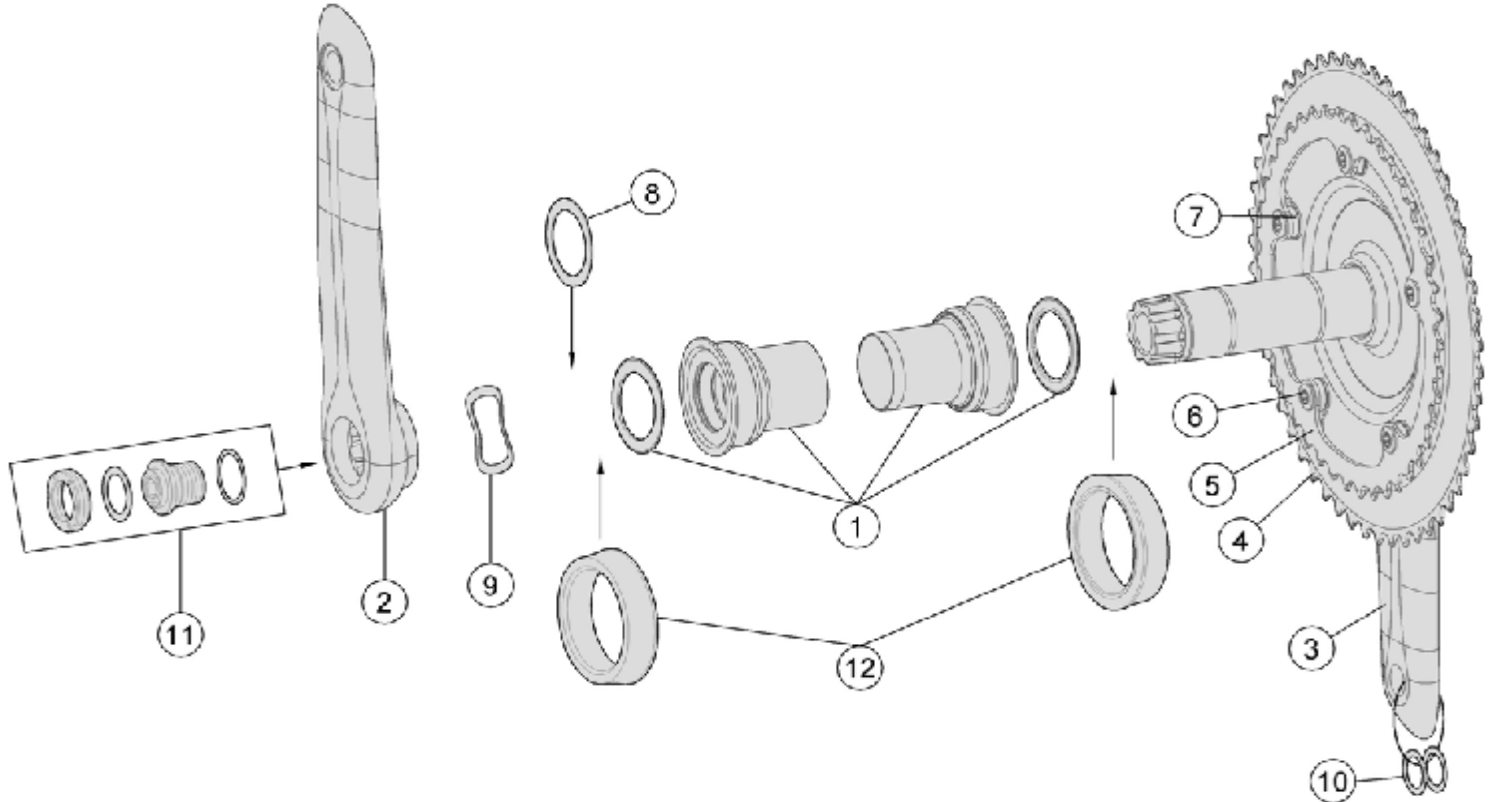


**Metron TT BB386 EVO**  
**CK-OS8700CC/86**  
**Metron TT 1X BB386 EVO**  
**CK-OS8700C/86**

With BB- PF8200CZ/Di2 For all other BB compatibility, please visit:  
<http://www.fullspeedahead.com/wp-content/uploads/2014/04/POSTER-BB-2014-ROAD-A223.pdf>



Item No.	FSA Code No.	Description	Notes	
1	200-3111	BB-PF8200/CZ/Di2 Road ceramic BB-PF30		
2	34000043002031	165L	K1505 Metron Left 386EVO Arm	★Black decals
	34000043003031	170L		
	34000043004031	172.5L		
	34000043005031	175L		
	34000043006031	177.5L		
	34000043007031	180L		
3	34100021002031	165L	K2505 Metron Right 386EVO Arm/ Spindle BCD 130	★Black decals
	34100021003031	170L		
	34100021004031	172.5L		
	34100021005031	175L		
	34100021006031	177.5L		
	34100021007031	180L		
4	371-0039007050	WA627 AL7075 CNC TT Chainring (BCD 130mm) 53T	N10/N11 ★Optional parts	
5	371-0042005050	WB326 AL7075 CNC TT Chainring (BCD 130mm) 39T	N10/N11 ★Optional parts	
6+7	390-0029000010	ML493 chainring Bolts + MW058K Spacer		
8	230-4038	MS188 Adjustable Spacer	for adjusting spindle movement side to side in the bottom bracket	
9	230-5002	MW083 Wave spring washer		
10	390-1200N	MW040 Pedal insert washers		
11	390-0028000600	QR-19 Self-extracting Crank Bolt Assembly		
12	200-3204	MW258A BB386 / 30 Adapter	Allow to use crank on a BB30 frame with BB shell 68mm width	

★ Optional Parts

Item No.	FSA Code No.	Description	Notes	
2	34000043002030	165L	K1505 Metron Left 386EVO Arm	Red decals
	34000043003030	170L		
	34000043004030	172.5L		
	34000043005030	175L		
	34000043006030	177.5L		
	34000043007030	180L		
3	34100021002030	165L	K2505 Metron Right 386EVO Arm/ Spindle BCD 130	Red decals
	34100021003030	170L		
	34100021004030	172.5L		
	34100021005030	175L		
	34100021006030	177.5L		
	34100021007030	180L		
54/42	368-0010011050	WA628 AL7075CNC TT Chainring (BCD 130mm) 54T	N10/N11	
	368-0012008050	WB327 AL7075CNC TT Chainring (BCD 130mm) 42T	N10/N11	
55/42	36800011008050	WA629 AL7075CNC TT Chainring (BCD 130mm) 55T	N10/N11	
	368-0012008050	WB327 AL7075CNC TT Chainring (BCD 130mm) 42T	N10/N11	
58/42	368-0018018050	WA630 AL7075CNC TT Chainring (BCD 130mm) 58T	N10/N11	
	368-0012008050	WB327 AL7075CNC TT Chainring (BCD 130mm) 42T	N10/N11	
54/44	368-0010011050	WA628 AL7075CNC TT Chainring (BCD 130mm) 54T	N10/N11	
	368-0013005050	WB009 AL7075CNC TT Chainring (BCD 130mm) 44T	N10/N11	
55/44	36800011008050	WA629 AL7075CNC TT Chainring (BCD 130mm) 55T	N10/N11	
	368-0013005050	WB009 AL7075CNC TT Chainring (BCD 130mm) 44T	N10/N11	
50	670-0082012050	WA015 CNC TT MegaTooth Chainring (BCD 130mm) 50T	N11 For Metron TT 1X BB386 EVO	

★N10/N11 –compatible with both Shimano DA-7900 10-speed (N10) and DA-9000 11-speed (N11) systems