

Vision Mini Clip-On Handlebar Installation Instructions

Published – Jun, 2014. ZS108.v4 © Full Speed Ahead

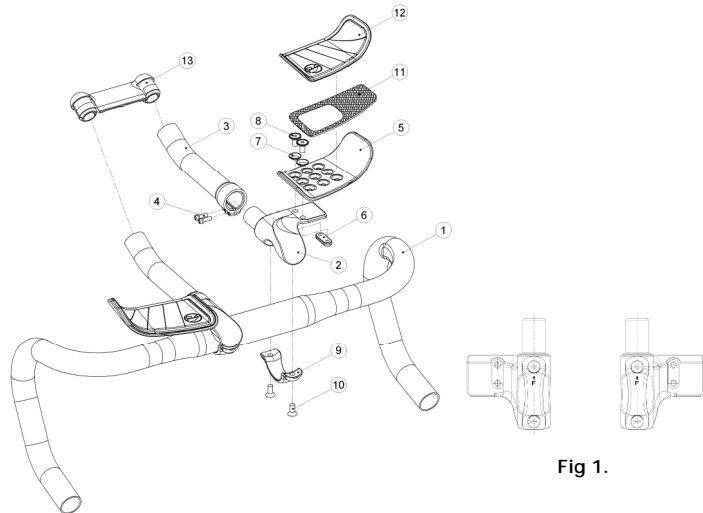


Fig 1.

Introduction

Congratulations on your Vision product. Please read these instructions and follow them for correct use. Failure to follow the warnings and instructions could result in damage to product not covered under warranty, damage to bicycle; or cause an accident resulting in injury or death. Since specific tools and experience are necessary for proper installation, it is recommended that the product be installed by a qualified bicycle technician. FSA & Vision assumes no responsibility for damages or injury related to improperly installed components.

Warranty

Full Speed Ahead (FSA) warrants all FSA, Gravity, Vision, Metropolis and RPM products to be free from defects in materials or workmanship for a period of two years after original purchase unless otherwise stated in the full warranty policy. The warranty is non-transferable and valid to the original purchaser of the product only. Any attempt to modify the product in any way such as drilling, grinding, and painting will void the warranty. For more information on warranty policy and instructions for completing a warranty claim, check out the Full Warranty Policy found at our website: <http://www.visiontechusa.com/support/warranty-policy/>

Specification

Item Number / Model Name HB-KO-a340/CSI / TriMax Carbon Mini TT Clip-on

Item Number / Model Name HB-RO-a370 / Team Mini TT Clip-on

WARNING Aerobar extensions reduce the rider's ability to steer and brake. The Aerobar extensions are intended to be used on closed race courses with minimal hazards such as bumps, sharp corners, steep descents, pedestrians and motor vehicles. Be careful of other cyclists on course while riding in Aerobars.

Components

Follow the assembly order in the illustration:

- | | | | |
|------------------------|--------------------------|-------------------------|------------------|
| ① Handlebar | ⑤ Armrest Plate x2 | ⑨ Clip-on Clamp ring x2 | ⑬ Aero Bridge x1 |
| ② Clip-on Clamp x2 | ⑥ Armrest nuts x4 | ⑩ Clamp Bolts 16mmx4 | |
| ③ Extension (L & R) x2 | ⑦ Washer x2 | ⑪ Armrest Pad Velcro x2 | |
| ④ Extension Bolts x4 | ⑧ Armrests Bolts 12mm x4 | ⑫ Armrest Pad x2 | |

Mini Clip-On bars Installation

WARNING Check with handlebar manufacturer to be certain it has reinforced area for clip-on extensions. Some alloy and most carbon handlebars are NOT clip-on extension compatible. Installing clip-on extensions on handlebars not compatible or reinforced for extension clamping pressure will cause damage to handlebar that can result in failure of handlebar, accident causing injury or death.

WARNING Do not install clip-on extensions on tapered sections of handlebar. Extensions should be installed on handlebars with adequate space on either side of stem for the clamp to tighten straight and securely. Extensions installed on handlebar tapers will not clamp securely and may slip while in use causing rider to lose control of bicycle resulting in accident, injury or death.

WARNING Do not apply grease between clip-on extension clamps and handlebar. FSA recommends using FSA Dynamic Installation Paste between extension clamps and handlebars to reduce possibility of extension slipping during use and over-tightening of the clamp bolts.

1. Make certain that the Clip-on Clamp ② diameter is the same as the handlebar.

2. Install the Extensions ③ on the Clip-on Clamps ②. Do not fully tighten the Extension Bolts ④.

3. Install Armrest Plate ⑤ on Clip-on Clamp ②. Adjust the Armrest Plate to desired position and alternately tighten the Armrest Bolts ⑧ and Washer ⑦ to Armrest nuts ⑥. Do NOT exceed 60 kgf.cm / 6 Nm / 53 in.lbs of torque.

WARNING Use only armrest bolts supplied with Vision Clip-On bars. Use only Vision brand bolts on Vision Mini-Clip on extensions. Using armrest plate bolts not supplied by Vision for the Mini-Clip on extension can cause failure of the threads, armrest plates, and unexpected shifting of the armrest plate causing loss of control of the bicycle resulting in injury or death. Make sure medium strength threadlocker is used on the armrest bolts ⑧.

4. Apply light grease to clamp bolts ⑩, apply FSA Dynamic Installation Paste to the clamp rings ⑨ and mount Clip-on Clamp ② with Clip-on Clamp ring ⑨ onto the handlebar ①. Ensure the direction of Clamp ring and Clip-on Clamp ② matches. Note: Use FSA Dynamic Installation Paste on Clip-on Clamp ring ⑨ when installing extensions on either alloy or carbon handlebars ①.

5. Press the Aero Bridge ⑬ on to extensions ③. Center clip-on clamps and clamp rings on handlebar. Set to the desired angle and alternately and evenly tighten the clamp Bolts ⑩. Do not exceed 70 kgf.cm / 7 Nm / 62 in.lbs. Tighten the Extension Bolts ④. Do not exceed 20 kgf.cm / 2 Nm / 18 in.lbs.

6. Place the Armrest Pads ⑫ onto the Armrest Pad Velcro ⑪. Align the Armrest Pad to the Armrest Plate and remove the backing.

7. Make sure the Armrest Plates are clean. Firmly press the Armrest Pad to the Armrest Plate.

WWW.VISIONTECHUSA.COM

Vision



Vision

gravity

METROPOLIS

Contact

If you have questions, please visit our web site technical section: <http://www.visiontechusa.com/support/> or contact:

Full Speed Ahead, USA
12212 Cyrus Way Mukilteo, WA 98275-5702
Tel: 1_425_488_8653 Fax: 1_425_489_1082

Full Speed Ahead, Europe
Via Del Lavoro, 56 20874 Busnago, Milan, Italy
Tel: +39_039_688_5265 Fax: +39_039_682_3336

TH INDUSTRIES / FSA Asia
NO.6, Wu-gong 8th Rd., Wufeng Dist., Taichung City 41353, Taiwan (R.O.C.)
Tel: +886_4_2331_9134 Fax: +886_4_2331_9314

Notes: Specifications of product may be changed or improved for performance. Please refer to website periodically for technical updates and revised instructions. Printed in Taiwan.