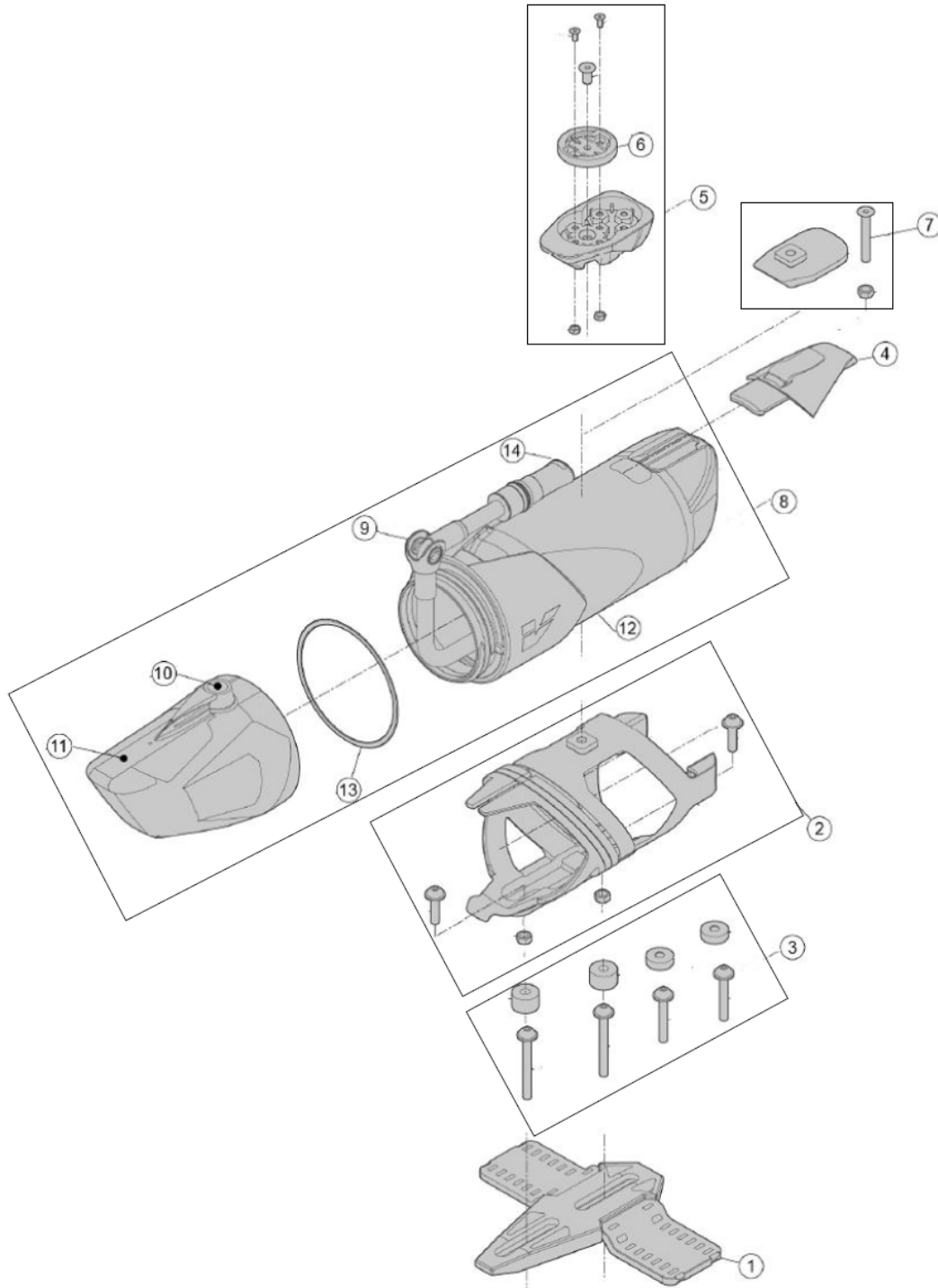


818ml ; fits extension width from 80 to 130mm (c-c); 2-way computer mount provides 3 mounting position options



Item No.	FSA Code No.	Description	Notes
1	670-0480000110	V4087 Bottle Cage Adapter	
2	670-0480000110	V4084 Bottle Cage w/Fixing Bolts & Nuts	
3	670-0480000110	MW762 Bottle Cage height adjust kit	
4	670-0483000110	E0793 Memo Holder	
5	670-0480000110	V4085 Computer Base w/Bolt	
6	670-0447000110	E0699 Computer Insert	
7	670-0480000110	MW759 Kit For Bottle Cage below the Bottle Cage Adapter	
8	670-0480000110	V4077 Aero-Power Aerodynamic Bottle	
9	670-0480000110	V4088 Articulated Straw Set	
10	670-0488000110	V4086 Articulated Straw Support	
11	670-0480000110	V4081 Filler Port Cap Set	
12	670-0490000470	MW758 Aero-Power Aerodynamic Rubber Ring	
13	670-0491000000	MS385 Aero-Power Aerodynamic Bottle Seal	
14	670-0492000APO	V4091 Mouthpiece	