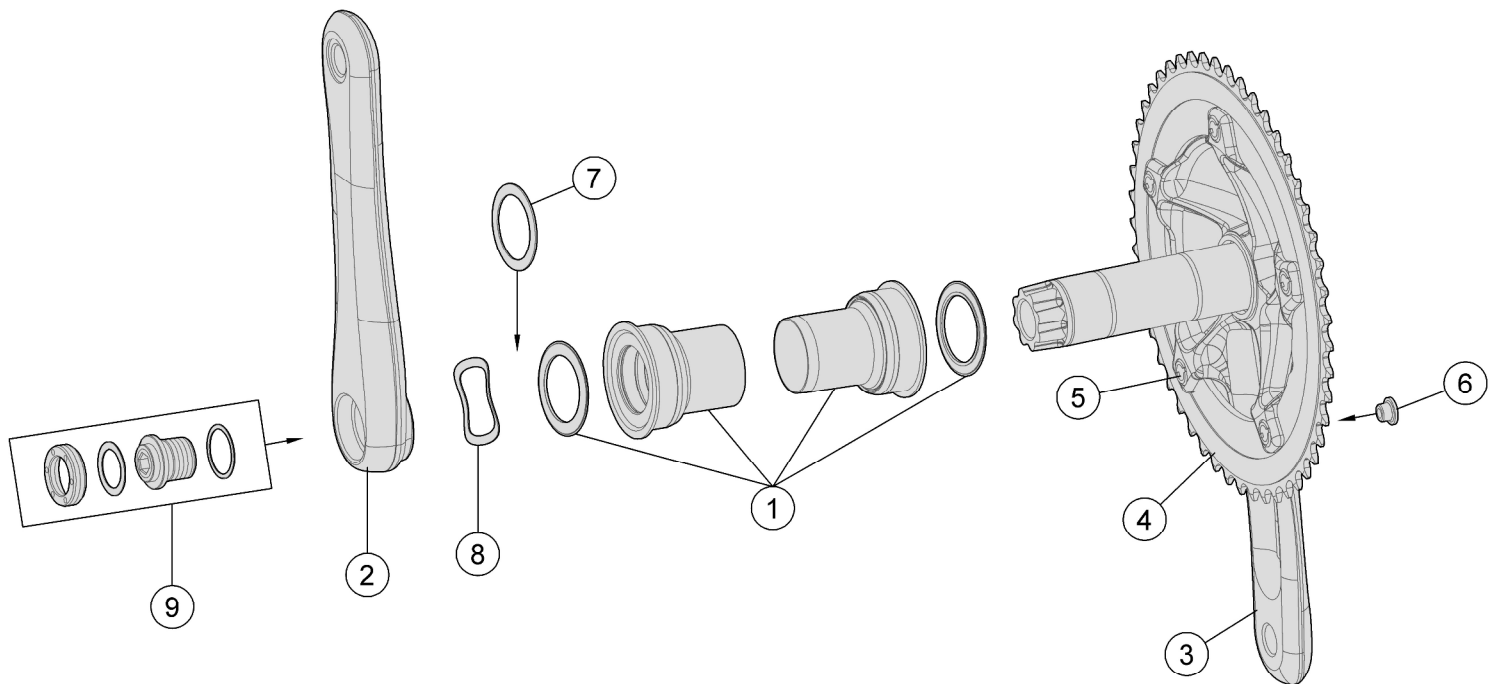


With BB- PF6000CZ/Di2 For all other BB compatibility, please visit:  
<http://www.fullspeedahead.com/wp-content/uploads/2014/04/POSTER-BB-2014-ROAD-A219.pdf>



Item No.	FSA Code No.	Description	Notes
1	200-3112	BB-PF6000/CZ/Di2 Road Stainless BB-PF30 Bottom Bracket	
2	34000044002010	165L	K1558 Vision Track Left Arm
	3400004400C010	167.5L	
	34000044003010	170L	
	34000044004010	172.5L	
	34000044005010	175L	
3	34100022002010	165L	K2558 Vision Track Right Arm, Spindle BCD 144mm
	34100022050010	167.5L	
	34100022003010	170L	
	34100022004010	172.5L	
	34100022005010	175L	
4	368-0019007050	WA095 Precision CNC Machined AL7075 Chainring (BCD 144mm) 53T	N11 ★Optional parts
5+6	390-0031000150	ML137 Alloy Chainring Bolts + ML462 Steel Chaing Nuts	
7	230-4038	MS188 Adjustable Spacer	For use with undersized bottom bracket shells
8	230-5002	MW083 Wave Spring Washer	
9	390-0027000600	QR-21 Self-Extracting Crank Bolt Assembly	

### ★ Optional Parts

Item No.	FSA Code No.	Description	Notes
4	368-0020006050	WA094 Precision CNC Machined AL7075 Chainring (BCD 144mm) 52T	
	368-0021013050	WA093 Precision CNC Machined AL7075 Chainring (BCD 144mm) 51T	
	368-0022005050	WA057 Precision CNC Machined AL7075 Chainring (BCD 144mm) 50T	
	368-0023014050	WA013 Precision CNC Machined AL7075 Chainring (BCD 144mm) 49T	
	368-0024004050	WA056 Precision CNC Machined AL7075 Chainring (BCD 144mm) 48T	
	368-0025016050	WA055 Precision CNC Machined AL7075 Chainring (BCD 144mm) 47T	
	368-0026003050	WA054 Precision CNC Machined AL7075 Chainring (BCD 144mm) 46T	
	368-0027015050	WA053 Precision CNC Machined AL7075 Chainring (BCD 144mm) 45T	