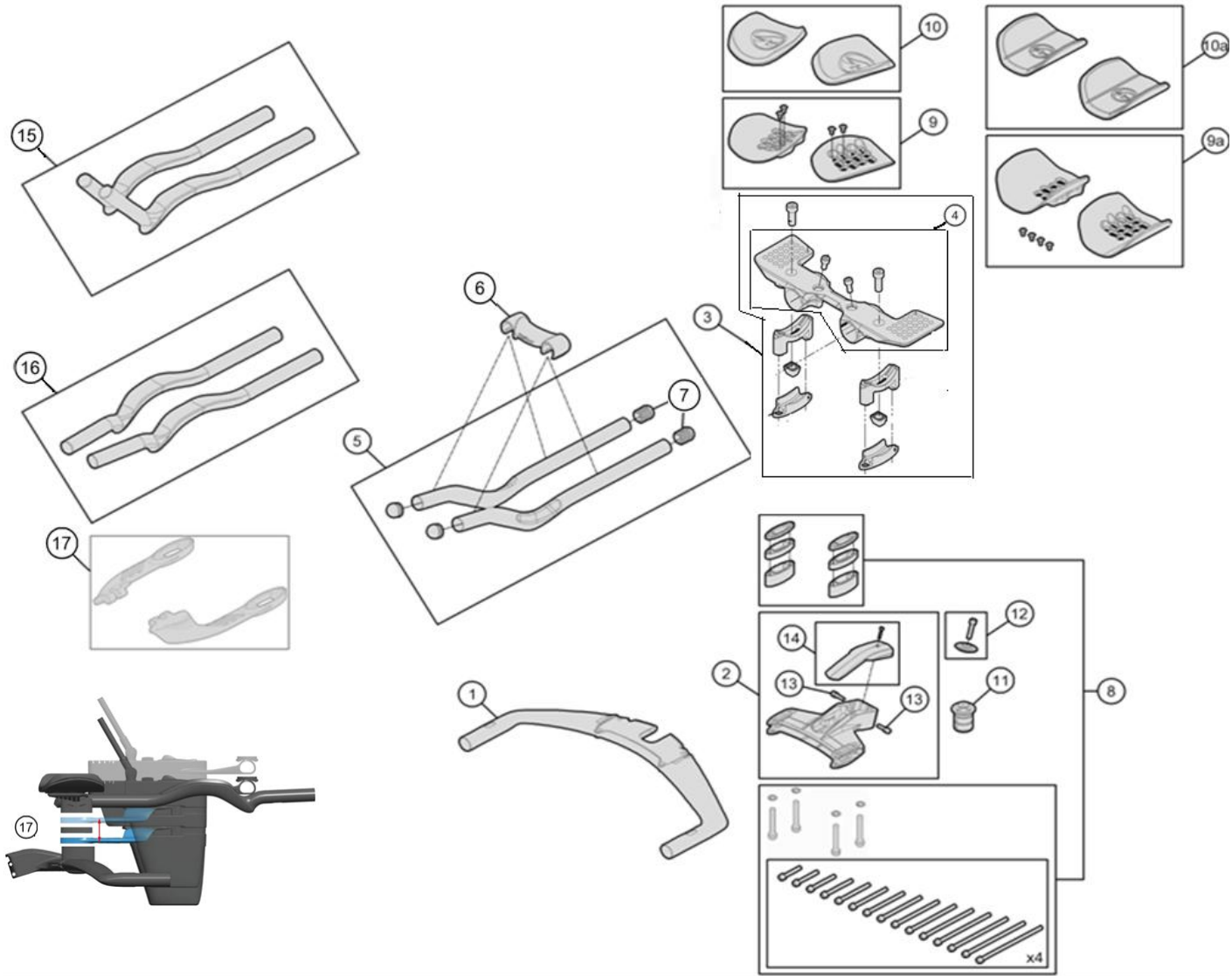


Patent pending Snakebite stem allows for flip-able base bar with internal cable routing



Item No.	FSA Code No.	Description	Notes
1	670-0302000030	V1028 Metron TFA Aerobar with Vision Metron logo	Width 400 mm(c-c)
2	670-0303000000	V0218 Metron SankeBite Stem with Bolts	
3	670-0279000050	E0678 & E0679 Angle Adjustment Bracket Upper & Lower with bolts & Nut	
4	670-0387000050	V3138 Bridge with bolts	
5	670-0273000031	V3108 Aero Extension JS-bend L & R	
6	670-0310000110	ME358 Extension Bridge	
7	670-0282000110	MS031 Aero Extension Rear Plug	
8	670-0304000750	MW037 Armrest Stack Spacers Kit with Spacer Bolts	
9	670-0277000110	V4055 & V4056 Armrest Pad Plate L & R with bolts	
10	670-0278000110	MS032 Armrest Pad Left & Right	
11	160-0050000024	TH-863-1 Compressor Pro	
12	160-0092000AD0	H1019 Compressor Cap with bolt	
13	175-0027000990	ML061 SankeBite Stem Steerer Clamp Bolt	
14	670-0305000030	T2008 Metron SankeBite Stem Cover with bolt	

★Optional Parts

Item No.	FSA Code No.	Description	Notes
9a	670-0340000111	V0209 R25 Race Armrest Plate L & R with bolts	
10a	670-0347000110	MS084 R25 Race Armrest Pads L & R	
9a+10a	670-0340000110	V0209 R25 Race Armrest Kit	
15	670-0335000030	V3123 Carbon Speed Extension J-bend L & R	Vision Carbon
16	670-0343000030	V3124 Carbon Speed Extension S-bend L & R	Vision Carbon
17	670-0339000680	V0208 Longer Hydration Extension	For use with Metron Front Hydration System