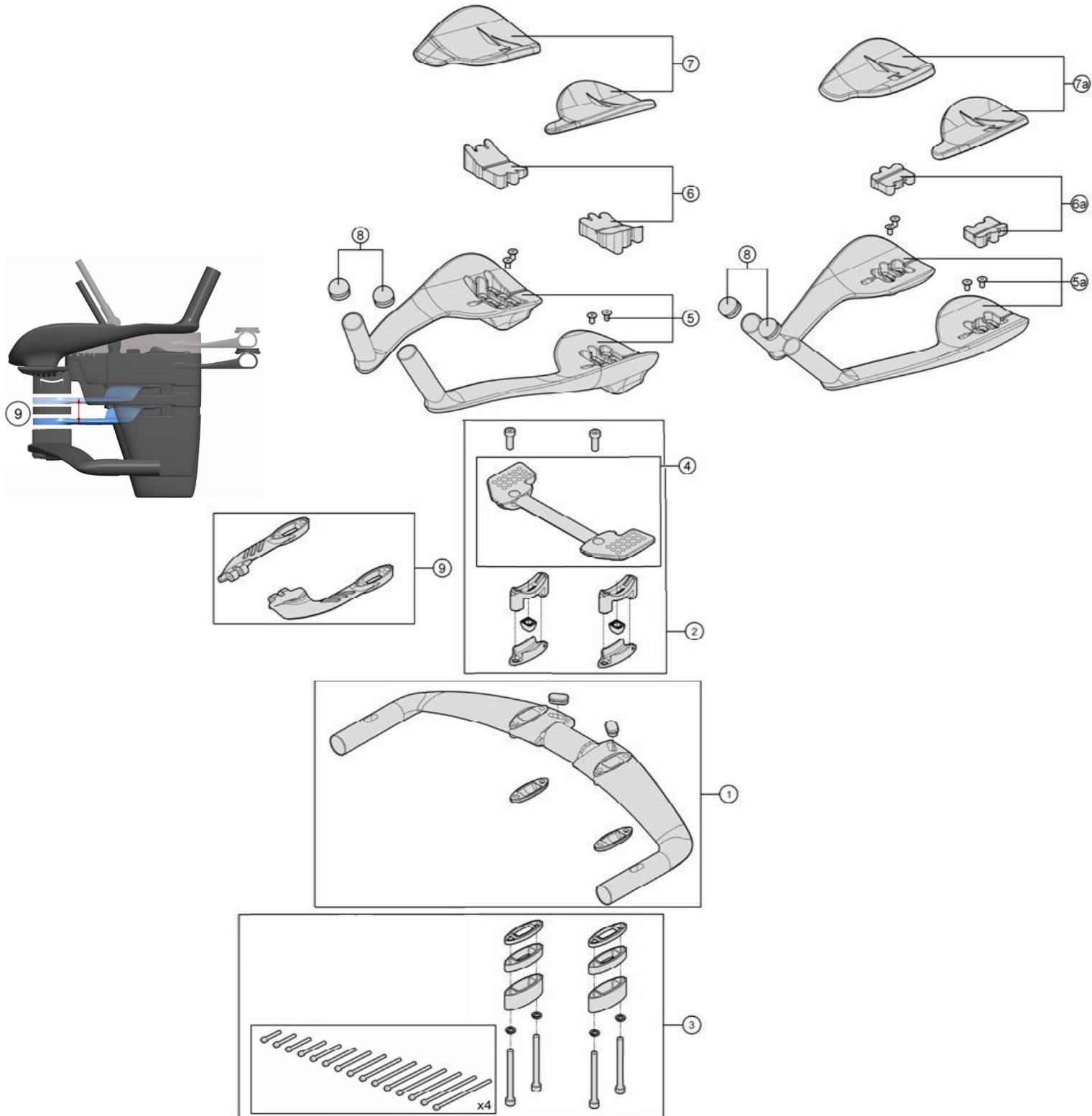


Highly adjustable and customizable Semi-integrated design

- 670-0372015030 V0222L{HB-KO-Si013Adj/TFE Pro/CCH/Di2} TriMax Carbon Si + Metron TFE Pro Extensions (L)
- 670-0372014030 V0222M{HB-KO-Si013Adj/TFE Pro/CCH/Di2} TriMax Carbon Si + Metron TFE Pro Extensions (M)
- 670-0372013030 V0222S{HB-KO-Si013Adj/TFE Pro/CCH/Di2} TriMax Carbon Si + Metron TFE Pro Extensions (S)
- 670-0373016030 V0223L{HB-KO-Si013Adj/TFE/CCH/Di2} TriMax Carbon Si + Metron TFE Extensions (L)
- 670-0373019030 V0223M{HB-KO-Si013Adj/TFE/CCH/Di2} TriMax Carbon Si + Metron TFE Extensions (M)
- 670-0373002030 V0223S{HB-KO-Si013Adj/TFE/CCH/Di2} TriMax Carbon Si + Metron TFE Extensions (S)
- 670-0328012032 V0203L Metron TFE Pro Extensions (L)
- 670-0328012031 V0203M Metron TFE Pro Extensions (M)
- 670-0328012030 V0203S Metron TFE Pro Extensions (S)
- 670-0361016030 V0219L Metron TFE Extensions (L)
- 670-0361019030 V0219M Metron TFE Extensions (M)
- 670-0361002030 V0219S Metron TFE Extensions (S)



Item No.	FSA Code No.	Description	Notes
1	670-0281000030	V1023 Metron TFA Base Bar with Covers	
2	670-0279000050	E0678 Angle Adjustment Bracket Upper & Lower with bolts & Nut	
3	670-0280000750	MW037 Armrest Stack Spacers Kit with Spacer Bolts	
4	670-0355000010	ME388 Bridge	
5	670-0393038030	V3133L Metron TFE Pro Extension - Left (w/cover, bolts, plug)	★305mm(L)
	670-0394038030	V3134L Metron TFE Pro Extension - Right (w/cover, bolts, plug)	
6	670-0395000110	V0233A Metron TFE Pro Rubber Cover Left & Right	★For Metron TFE Pro Extension
7	670-0375000110	MS367 Armrest Pads Left & Right	★For Metron TFE Pro Extension
8	670-0187000110	MS133 Aero Extension Front Plug	
9	670-0339000680	V0208 Longer Hydration Extension	For use with Metron Front Hydration System

★Optional Parts

Item No.	FSA Code No.	Description	Notes
5	670-0393037030	V3133M Metron TFE Pro Extension - Left (w/cover, bolts, plug)	285mm(M)
	670-0394037030	V3134M Metron TFE Pro Extension - Right (w/cover, bolts, plug)	
5	670-0393036030	V3133S Metron TFE Pro Extension - Left (w/cover, bolts, plug)	265mm(S)
	670-0394036030	V3134S Metron TFE Pro Extension - Right (w/cover, bolts, plug)	
5a	670-0391017030	V3120L Metron TFE Extension - Left (w/cover, bolts, plug)	300mm(L)
	670-0392017030	V3121L Metron TFE Extension - Right (w/cover, bolts, plug)	
5a	670-0391024030	V3120M Metron TFE Extension - Left (w/cover, bolts, plug)	275mm(M)
	670-0392024030	V3121M Metron TFE Extension - Right (w/cover, bolts, plug)	
5a	670-0391004030	V3120S Metron TFE Extension - Left (w/cover, bolts, plug)	250mm(S)
	670-0392004030	V3121S Metron TFE Extension - Right (w/cover, bolts, plug)	
6a	670-0395000111	V0233B Metron TFE Rubber Cover Left & Right	For Metron TFE Extension
7a	670-0374000110	MS368 Armrest Pads Left & Right	For Metron TFE Extension