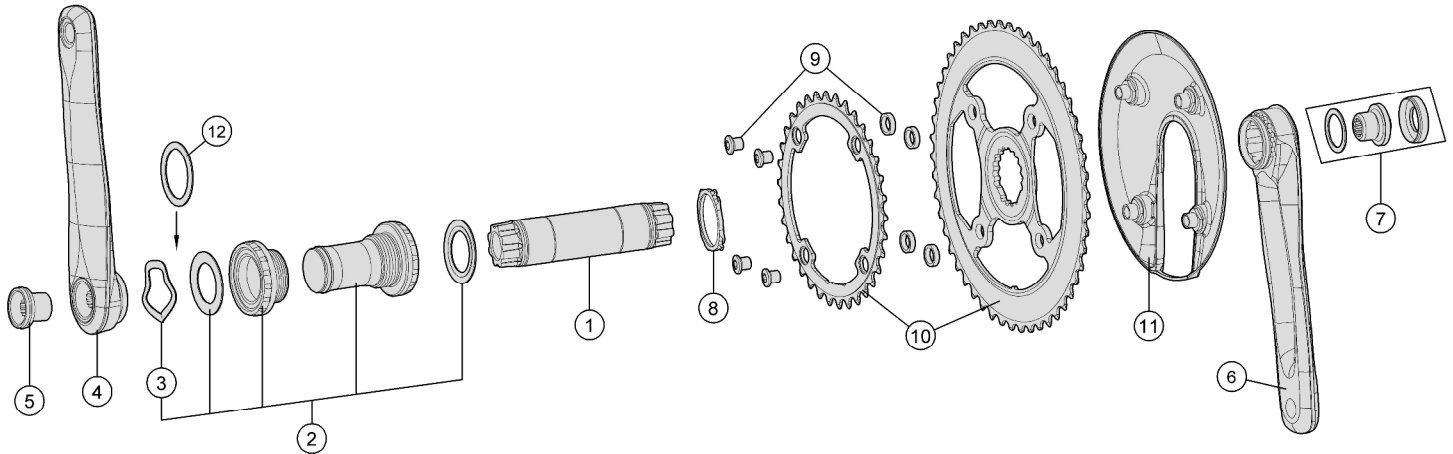




Revolution track cranks with ultra-stiff 30mm spindle



Item No.	FSA Code No.	Description	Notes
1	203-0008000060	A3160 $\phi$ 30mm Aluminum Spindle	
2	200-3201	BB-EVO8681 Road MegaEVO Bottom Bracket – $\phi$ 30mm	68mm width BSC-1.37"x24T★
3	230-5002	MW083 Wave Spring Washer	
4	340-0091005970	K1596 Vision Alloy Left Arm	175L ★
5	390-0026000600	ML032+MW201 Crank Bolt for Left Arm	
6	341-0073005970	K2596 Vision Alloy Right Arm	175L ★
7	390-0027000600	QR-21 Self-Extracting Crank Bolt Assembly	
8	390-0044000600	ML549 Modular Crank System Lockring	
9	390-0085000150	ML163 +MW058 Chainring Bolts Kit	
10	368-0036005970	WA201 Chainring 53T	50/34 N11★Optional parts
	370-0085002050	WB053 Chainring 34T	
	368-0038000050	W0124 Aero Cover	
11	230-4038	MS188 Adjustable Spacer	For adjusting spindle to bottom bracket width variation
12	203-0008000060	A3160 $\phi$ 30mm Aluminum Spindle	

★ Optional Parts

Item No.	FSA Code No.	Description	Notes
4	340-0091004970	K1596 Vision Alloy Left Arm	172.5L
	340-0091003970		170L
	340-0091002970		165L
6	341-0073004970	K2596 Vision Alloy Right Arm	172.5L
	341-0073003970		170L
	341-0073002970		165L
10	368-0039006970	WA202 Chainring 52T	52/36 N11
	370-0083003050	WB052 Chainring 33T	

★ For all other BB compatibility, visit <http://www.fullspeedahead.com/support/technical-information-instructions/>  
[http://fsa-4207.kxcdn.com/wp-content/uploads/2014/07/CRANKSET\\_BB-COMPATABILITY-CHART-ROAD-20160312.pdf](http://fsa-4207.kxcdn.com/wp-content/uploads/2014/07/CRANKSET_BB-COMPATABILITY-CHART-ROAD-20160312.pdf)