

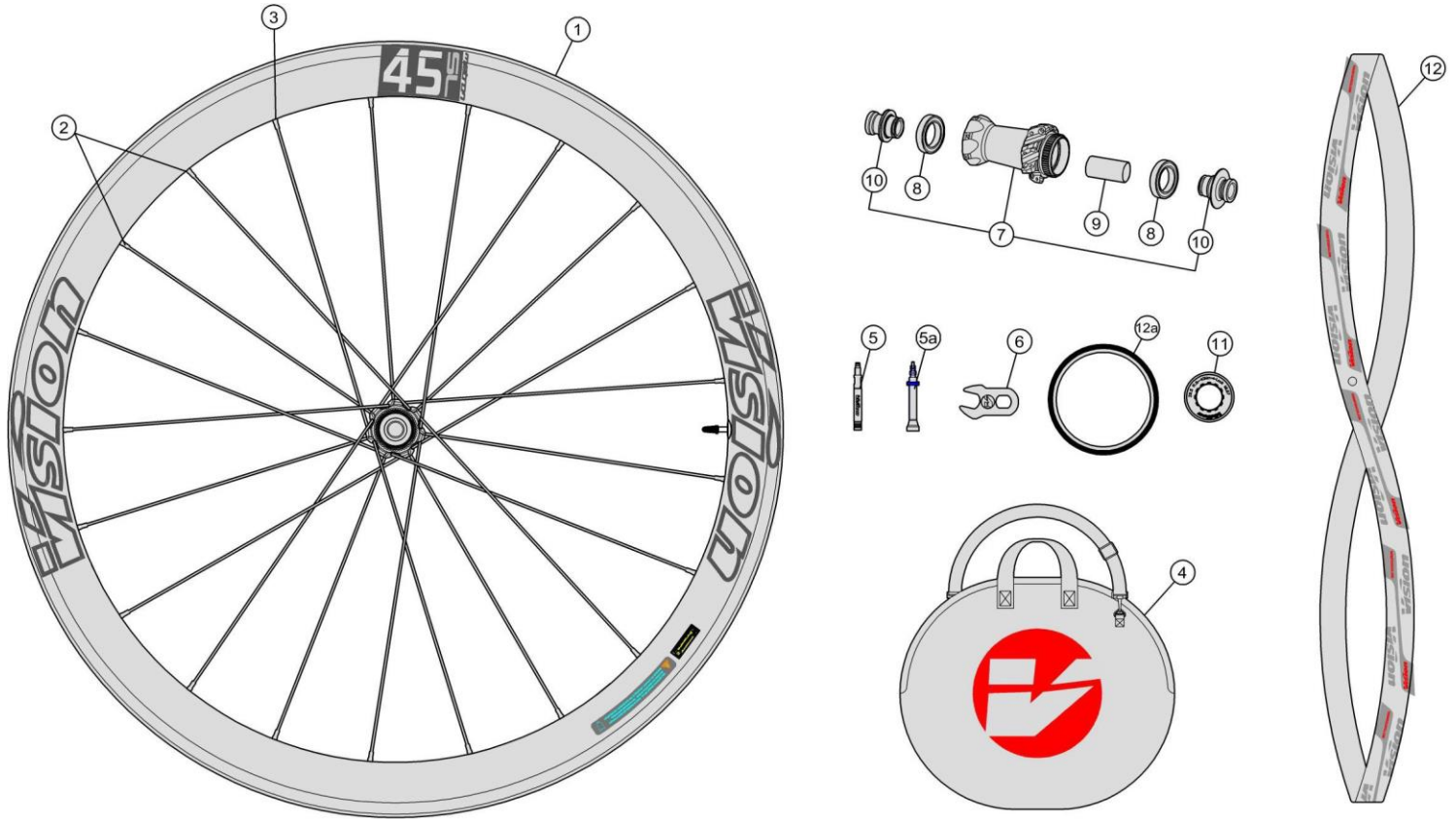
Full carbon 45mm section rim; Power Ratchet System hubs with direct pull spokes; both tubular and clincher available

710-0156231030 METRON45 DB-CL CH-TL SMN

710-0156236030 METRON45 DB-CL CH-TL XDR

710-0157231030 METRON45 DB-CL TUB SMN

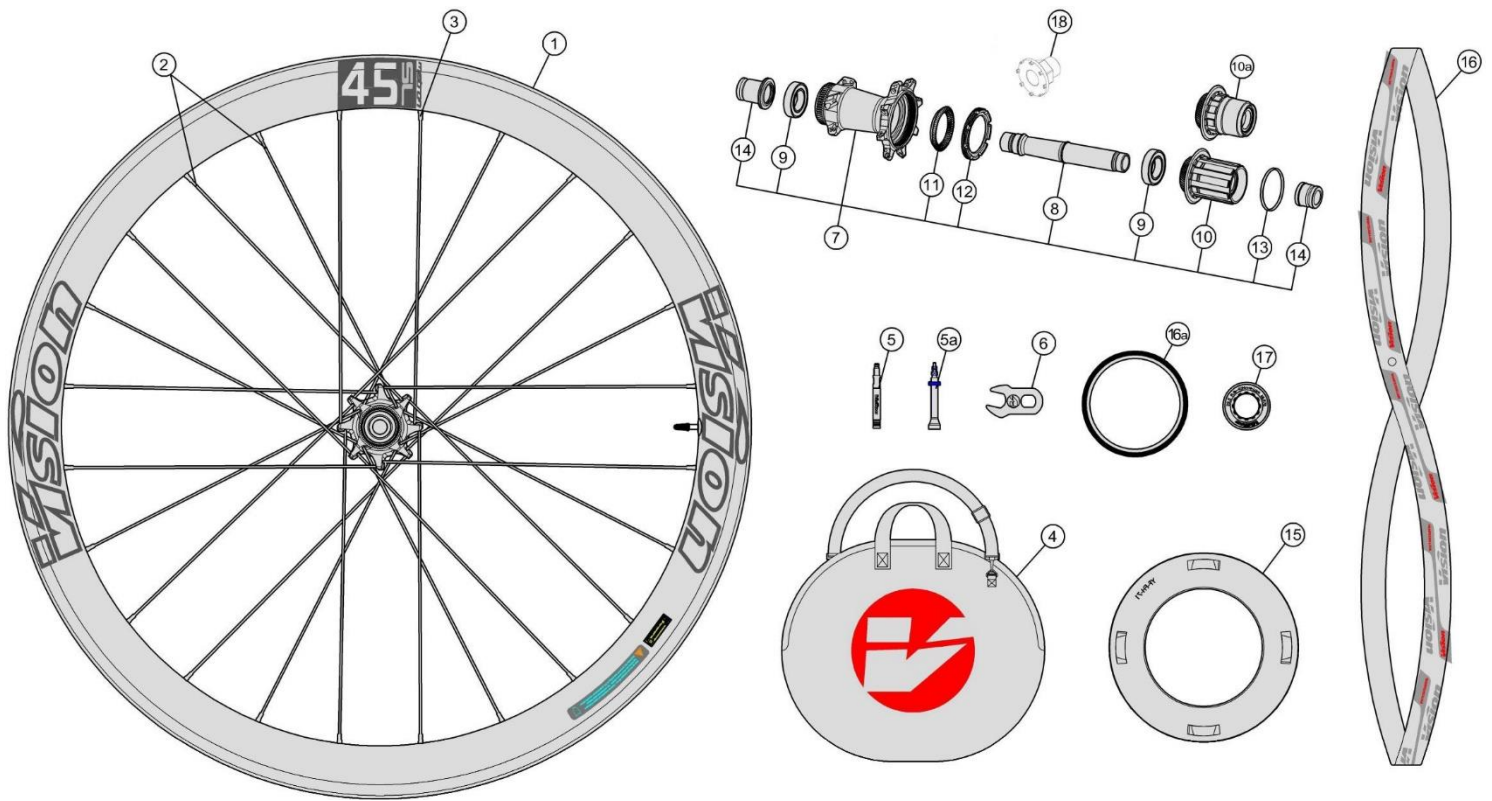
710-0157236030 METRON45 DB-CL TUB XDR



| Item No. | FSA Code No. | Description | Notes |
|----------|-------------------|---|-------------------------|
| 1 | 725-0154006030 | RM206A Front Rim Tubular | Rim Sticker Attached★ |
| 2 | SPK-MTR45DBB1 | SPOKE KIT METRON 45 | |
| 3 | | | |
| 4 | 752-90030E | E0169 Vision Wheel Bag | |
| 5a | 752-5114 | Alloy valve extender 30mm E0282D | For Tubular |
| 6 | 752-5126 | E0310 Valve Extender Wrench | For Tubular |
| 7 | 752-0819006970 | U1149 Power Ratchet System Front Hub Assembly | TA12 Configuration |
| 8 | 752-6528CWSPBlack | Bearing (63803-28x17x7) CW Radial Steel Fosfatati | |
| 9 | 752-0963000000 | MW096 Sleeve for Front Hub Assembly | |
| 10 | 752-0897000010 | EL395 Front Hub End Caps - TA12 Configuration | |
| 11 | 752-0902000010 | ML678 Center Lock external lock ring | Conver to 6B compatible |

★Optional Parts

| Item No. | FSA Code No. | Description | Notes |
|----------|----------------|---|-------------------------------|
| 1a | 725-0152006030 | RM205A Front Rim Clincher (Tubeless) | Rim Sticker Attached |
| 5a | 752-0670000001 | E0706B Aluminum Valve Extender-60L | For Tubeless 60mm section rim |
| 10a | 752-0848000750 | EL391 Front Hub End Caps - TA15 Configuration | |
| 12a | 752-0997000110 | Road TL Tape Black 28mm x 10M w/Logo ME438 | For Clincher (Tubeless) |



| Item No. | FSA Code No. | Description | Notes |
|----------|-------------------|---|--------------------|
| 1 | 725-0154002030 | RM206B Rear Rim Tubular | |
| 2 | SPK-MTR45DBB1 | SPOKE KIT METRON 45 | |
| 3 | | | |
| 4 | 752-90030E | E0169 Vision Wheel Bag | |
| 5 | 752-5114 | Alloy valve extender 30mm E0282D | For Tubular |
| 6 | 752-5126 | E0310 Valve Extender Wrench | For Tubular |
| 7 | 752-0820002010 | U2149 Power Ratchet System Rear Hub Assembly | Shimano Compatible |
| 8 | 752-0964000010 | ME384 Axle for Rear Hub Assembly | |
| 9 | 752-6514CWSPBlack | Bearing (6903-30x17x7) CW Radial Steel Fosfatati for DS | for non-drive side |
| | 752-6528CWSPBlack | Bearing (63803-28x17x7) CW Radial Steel Fosfatati for NDS | for drive side |
| 10 | 752-0921000020 | EL401 Freehub Assembly - Shimano Compatible | |
| 11 | 752-1001000AKO | MW098 Helical Clutch Ratchet Inner Ring | |
| 12 | 752-1000000AKO | ML654 Helical Clutch Ratchet Outer Ring | |
| 13 | 752-0072000010 | MW322 11 Speed Cassette Spacer | Shimano N10/11 |
| 14 | 752-0898000010 | EL396 Rear Hub End Caps | |
| 15 | 752-0901000000 | W1168 Vision Wheelset Spoke Protector | |

★Optional Parts

| Item No. | FSA Code No. | Description | Notes |
|----------|----------------|--|-------------------------------|
| 1a | 725-0152002030 | RM205B Rear Rim Clincher (Tubeless) | |
| 5a | 752-0670000001 | E0706B Aluminum Valve Extender-60L | For Tubeless 60mm section rim |
| 7a | 752-0935002970 | U5149 Power Ratchet System Rear Hub Assembly | SRAM XDR 12S Compatible |
| 10a | 752-0938000010 | EL402 Freehub Assembly | SRAM XDR 12S Compatible |
| 16a | 752-0997000110 | Road TL Tape Black 28mm x 10M w/Logo ME438 | Vision logo 25mmx8M |
| 17a | 752-0902000010 | ML678 Center Lock external lock ring | Conver to 6B compatible |
| 18a | 752-0918000520 | E0791 Power Ratchet System Disassembly Tool | |