

VISION TECHUSA METRON TFE

FIND YOUR FIT WITH THE FASTEST EXTENSIONS

The next level of aerodynamics and ergonomics with custom extensions.

The TFE is the culmination of Vision's experience and knowledge – with a custom-like appearance, optimized aerodynamics and tailored fit, the TFE extensions are the clear leader to all other aerobar options on the market.

The new Metron TFE extensions features an ergonomic shape and carbon construction. This allows for an internal Di2 cable routing along with one of the highest custom option currently available.

Developed with the expertise and feedback of our sponsored teams, these extensions are the stiffest and most aerodynamic extension now available for Professional riders.

DEVELOPED IN WIND TUNNEL

The new Metron TFE Pro carbon extensions are super light, developed in the wind tunnel according to the needs and feedback of professional athletes.

GREAT STRENGTH-TO-WEIGHT RATIO

Full carbon construction provide a great strength-to-weight ratio.

HIGHEST PERFORMANCE

Integrated armrest and extension with ergonomic and aerodynamic design for the highest performance. Shape closer to the arc of the elbow can reduce turbulence.

PRODUCT INFORMATION

- Full carbon construction
- Integrated armrest and extension with ergonomic and aerodynamic design for the highest performance
- Shape follows the arc of the forearm to reduce drag and improve aerodynamics
- Compatible with Metron TFA and Trimax Si013
- Compatible with Specialized Shiv Tri MY19+ with adaptor (available separately)
- Underside bolt assembly
- Extension bridge for TFA included (ME388)

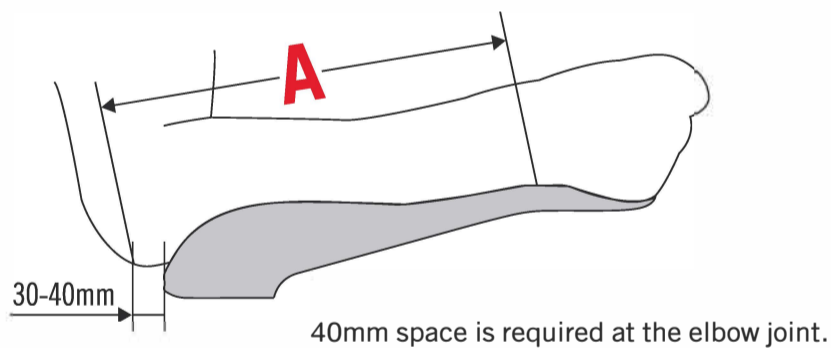
WEIGHT

- 360 grams (305mm - pair)



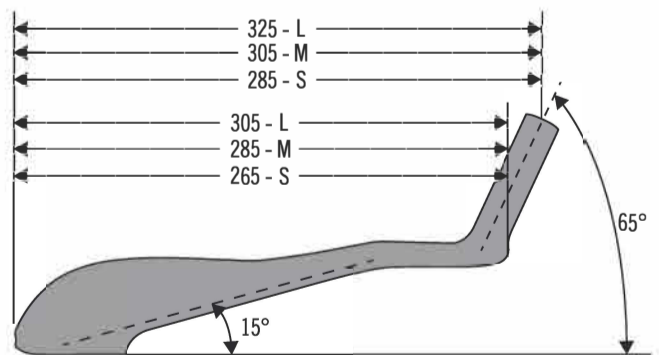
HOW TO CHOOSE

Measure the distance from the elbow to the wrist.



TFE PRO

MEASURE A	SIZE
≥ 290mm	L
From 270 to 285mm	M
≤ 265mm	S



TFE

MEASURE A	SIZE
≥ 280mm	L
From 255 to 275mm	M
≤ 250mm	S

