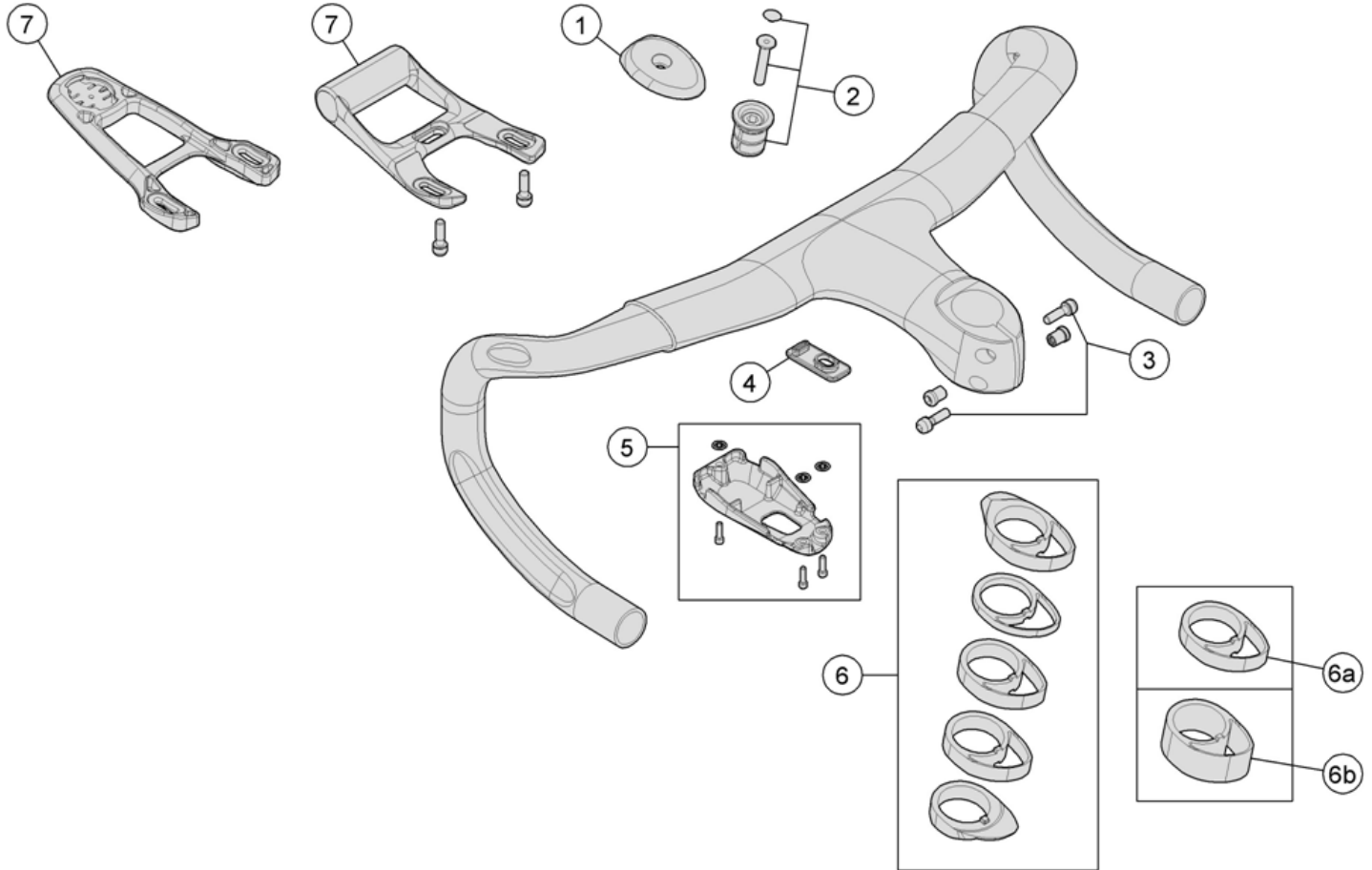


**The stiffest and most aerodynamic integrated handlebar and stem system**

- 670-0238001030 100mmx400W+10mm
- 670-0238002030 100mmx420W+10mm
- 670-0238003030 110mmx420W+10mm
- 670-0238004030 120mmx420W+10mm
- 670-0238006030 130mmx440W+10mm
- 670-0238009030 130mmx420W+10mm
- 670-0238010030 90mmx400W+10mm



Item No.	FSA Code No.	Description	Notes
1	670-0124000030	V4041 Carbon Top Cap	
2	160-0093000060	TH-881-1 + MS086 Compressor Alloy top $\varnothing$ 23mm	
3	670-0125000000	(ML250+ML294)x2 Stem Hardware Kit	
4	670-0126000110	MS061 Rubber Insert	For use with Di2 3-port junction box
5	670-0127000110	E0631 Lower Cover + ML540x3 Cover Screws M3 + ML542x3 Washers	
6	670-0128000030	MW082x1, MW081Ax1, MW081Bx2, MW052x1 Aero Spacer Kit x5 pcs	Standard accessory MW082 not for use with 100m
7	187-0006000110	EL259 Control Center Bracket with ML541 M5 bolts	★For standard computer mount

★ Optional Parts

Item No.	FSA Code No.	Description	Notes
6a	670-0097000031	MW081B Aero Spacer 10 mm x1 pcs	
6b	670-0097000032	MW081C Aero Spacer 20 mm x1 pcs	
7	187-0005000110	EL258 Control Center Bracket with ML541 M5 bolts	For Garmin computer mount