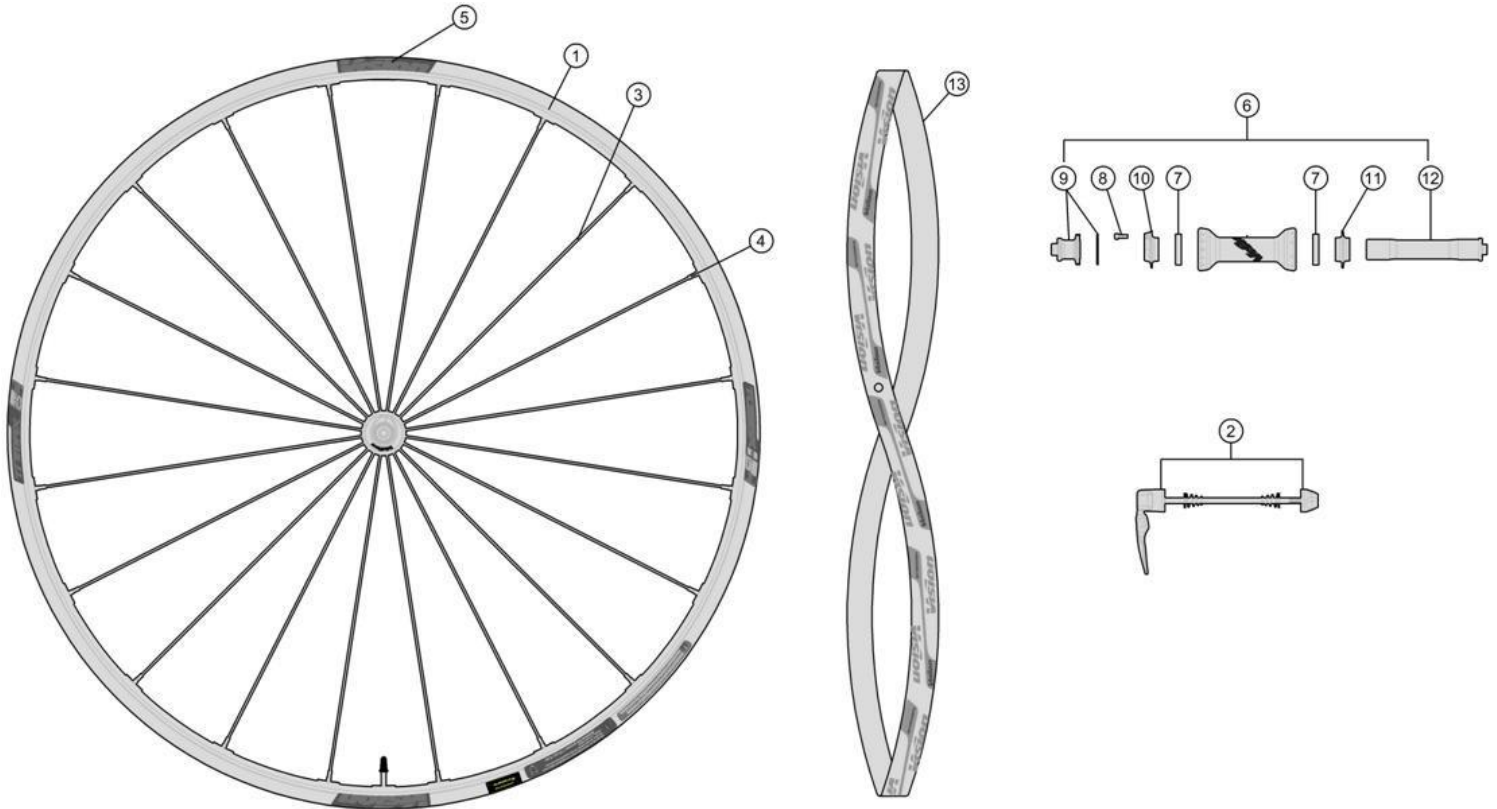


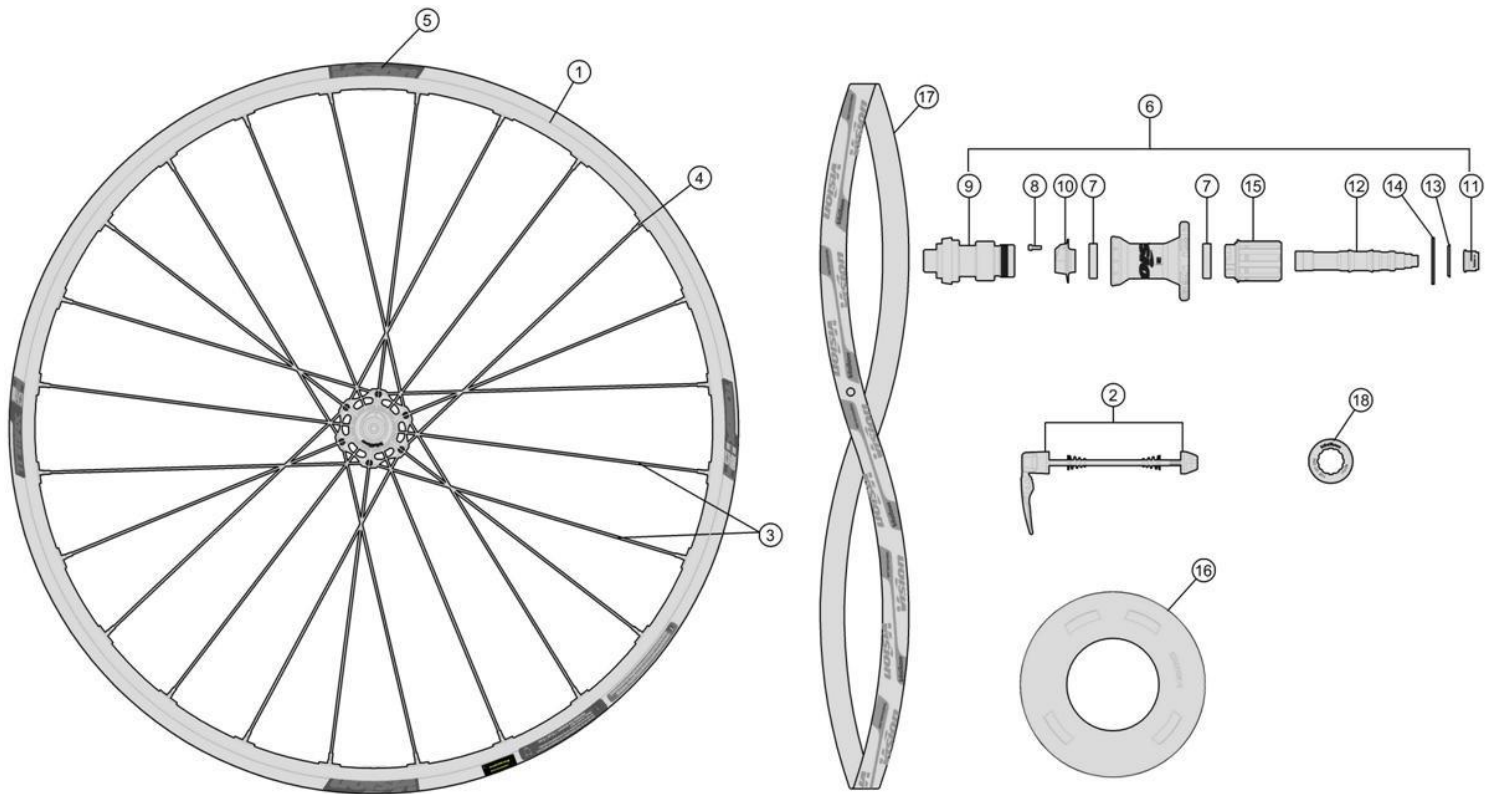
Alloy tubeless ready rim, P.R.A. hub for DP spokes; Interspoke milling R06 system; Ceramic Black brake surface

**710-0060011110** TRIMAX25 KB RB CH-TL SMN

**710-0060016110** TRIMAX25 KB RB CH-TL XDR



Item No.	FSA Code No.	Description	Notes
1	725-0054001820	RM110A Front Rim Clincher	Rim Sticker Kit not included
2	SPK-TRI25-KB-A9	SPOKES KIT Trimax 25 KB RB 291mm w/ NIPPLES	
3			
4	752-0564000110	ML583 15mm Hex ALPINA ABS Alloy BLACK Nipple Kit X5pcs	
5	752-0486000000	ZJWH0459 Rim Sticker Kit VISION+ TriMax 25 KB	
6	75200615007010	U1122 Front Hub Assembly	
7	752-0078000110	MR126 Steel Bearings	
8	752-0311000001	ML347 Adjustment Collar Bolt	
9	752-0153000010	MW278 Front Hub End Cap + MS251 O-ring	
10	752-0314000010	MW279 Preload Adjustment Collar	Black with vision logo
11	752-0461000010	MW062 Unthreaded Adjustment Collar	Black with vision logo
12	752-0310000010	ME175 Front Hub Axle	
13	752-0061000471	MS289 Vision Rim Tape for Clincher Rim	Vision Logo 700C W21 xT0.5mm



Item No.	FSA Code No.	Description	Notes
1	725-0054002820	RM110B Rear Rim Clincher	Rim Sticker Kit not included
2	750-0012202010	QR-93 Complete Quick Release -146mm	
3	SPK-TRI25-KB-A9	SPOKES KIT Trimax 25 KB RB 286/291mm w/ NIPPLES	
4			
5	752-0486000000	ZJWH0459 Rim Sticker Kit VISION+ TriMax 25 KB	
6	75200610006010	U2124 Rear Hub Assembly SHIMANO	★ Include bearings
7	752-0382000000	MR008 Steel Bearings	ACB
8	752-0311000001	ML347 Adjustment Collar Bolt	
9	752-0463000010	MW546 Rear Hub End Cap	
10	752-0462000010	MW544 Preload Adjustment Collar	Black with vision logo
11	752-0312000011	ML355 Rear Hub End Nut	
12	752-0467000010	ME260 Rear Hub Axle	
13	752-6563	MS268 Seal for Freehub Assembly - Shimano compatible	
14	752-0072000010	MW322 11 Speed Cassette Spacer	Shimano N10/11
15	752-0381000000	EL284 Freehub Assembly – Shimano compatible	Include bearings
16	752-0130000000	W1020 Vision Wheelset Spoke Protector	
17	752-0061000471	MS289 Vision Rim Tape for Clincher Rim	Vision Logo 700C W21 xT0.5mm

★ Optional Parts

Item	FSA Code No.	Description	Notes
5a	75200726006011	U2124 Rear Hub Assembly SRAM XDR	